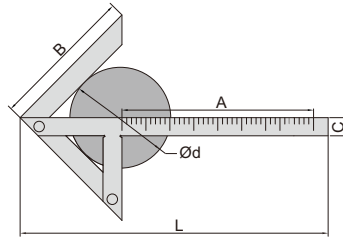
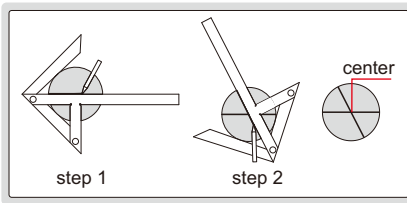


CENTER MARKING GAGES



7205-100

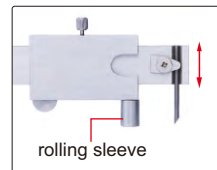
Code	Size (AxB)	Diameter of shafts ($\varnothing d$)	Accuracy	C	L
7205-100	100x70mm	4-90mm	$\pm 0.15\text{mm}$	12mm	153mm
7205-150	150x130mm	4-190mm	$\pm 0.15\text{mm}$	15mm	245mm
7205-200	200x150mm	6-220mm	$\pm 0.15\text{mm}$	15mm	310mm
7205-300	300x180mm	6-270mm	$\pm 0.15\text{mm}$	20mm	435mm

- Marking the center of round plates and shafts
- Made of stainless steel
- Satin chrome plated

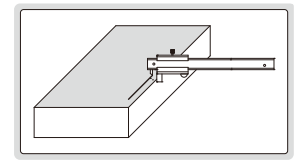
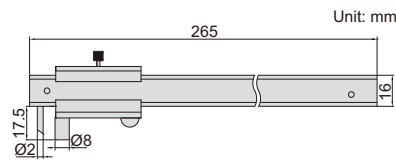
SCRIBING CALIPER

- Made of stainless steel
- Satin chrome plated reading surface
- Carbide scriber tip
- Optional accessory: carbide scriber tip (code SP-SCRIBER-7202)

the position of scriber tip can be adjusted



7202-200A



Code	Range	Graduation	Accuracy
7202-200A	0-200mm/0-8"	0.1mm, 1/128"	$\pm 0.1\text{mm}$

DIGITAL SCRIBING CALIPERS

- The carbide-tipped jaws facilitate scribing on workpieces
- Resolution: 0.01mm/0.0005"
- Buttons: on/off, zero, mm/inch
- Automatic power off, move the digital unit to turn on power
- Battery CR2032
- Made of stainless steel

With data interface (data output cable code 7315-21, 7302-21, optional)

Code	Range	Accuracy
1166-150A	0-150mm/0-6"	$\pm 0.03\text{mm}$

Built-in wireless (receiver code 7315-2/3/6/7/8 is required)

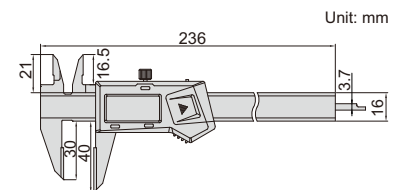
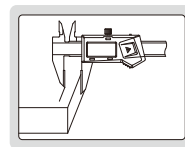
Code	Range	Accuracy
1166-150AWL	0-150mm/0-6"	$\pm 0.03\text{mm}$



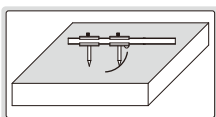
carbide measuring faces

1166-150A

DATA OUTPUT



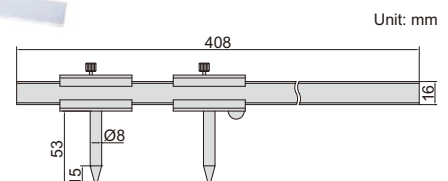
SCRIBING CALIPER



7203-300A

Code	Range	Graduation	Accuracy
7203-300A	51-300mm	0.1mm	$\pm 0.1\text{mm}$

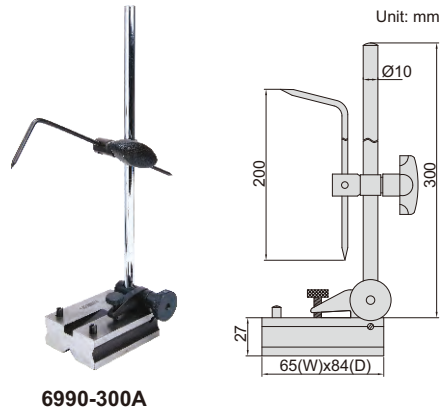
- Made of stainless steel
- Satin chrome plated reading surface
- Hardened scriber tips



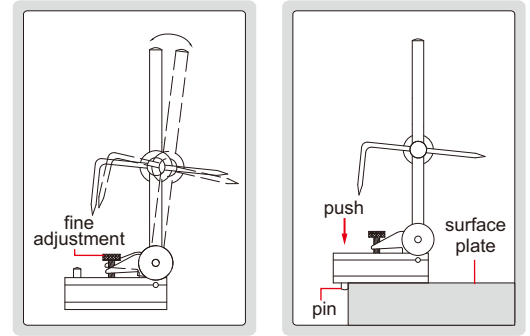
HEIGHT SCRIBER

- Grooved bottom for cylinders
- Two pins to be set against the edge of surface plate

Code
6990-300A



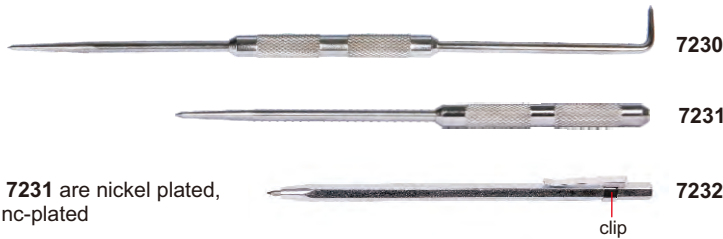
6990-300A



SCRIBERS

- 7230 and 7231 are nickel plated, 7232 is zinc-plated

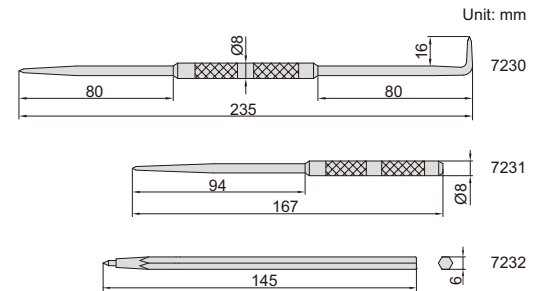
Code	Tip
7230	hardened tips
7231	hardened tip
7232	carbide tip



7230

7231

7232



PRECISION SCREWDRIVER SET CODE ISGF-0901

packaging



ISGF-0901

- Includes:
4 pcs "-": 1.4mm, 2.0mm, 2.4mm, 3.0mm
2 pcs "+": 0#, 1#
- Rotating cap
- Material: CRV, hardness: HRC52~56

packaging



ISGF-0501

LED FLASHLIGHT CODE ISGF-0501

- Toshiba high performance LED
- Powered by 3x AAA batteries (batteries are not included)
- Max output: 120 lumens
- Battery life: 4 hours
- Beam distance: 70 meters
- IP54 dust/waterproof